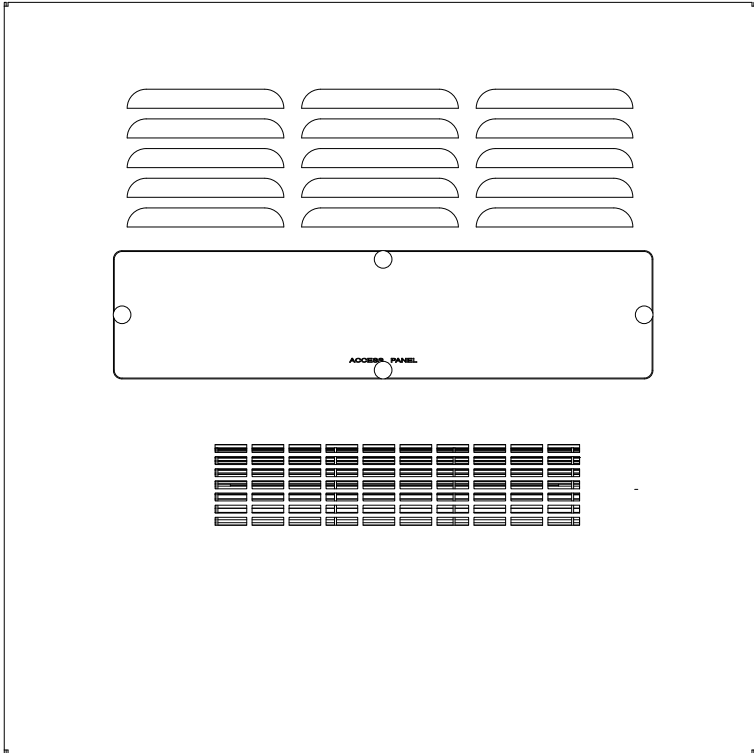




PURE CLOUD



CEILING MOUNT AIR PURIFICATION SYSTEM

READ MANUAL CAREFULLY FOR PROPER USE AND OPERATION.



GENERAL INFORMATION

PRODUCT OVERVIEW

Congratulations on your purchase! Your new Aerus® Pure Cloud is designed to be mounted into a ceiling and provide years of trouble-free, low maintenance operation. Be sure to read and follow all service procedures outlined in this owner's manual, and use only genuine replacement parts.

CONTENTS

Product Overview	2
Specifications	2
Storage and Disposal.....	2
Important Safety Instructions	3
For Canadian Customers Only.....	4
Product Features.....	5
Installation	6
Replacing the ActivePure Cell Assembly	7
Replacement Parts.....	8
Warranty Information	9
FCC Declaration & Responsible Party.....	10

FILL IN AND SAVE

Record information regarding your new Aerus Pure Cloud here.
Retain for future reference.

Model No. _____

Serial No. _____

Date of Purchase _____

Independent Distributor/Contractor:

Name _____

Phone No. _____

Address _____

SPECIFICATIONS

Aerus® Pure Cloud

- Model Number: A1021C (120V), A1021B (230V)
- Sales Number: 00672 (120V), 9960026 (230V)

Technology:

- ActivePure® Technology

Electrical:

- Input Voltage: 110-120V 60Hz .75A (90W) / 220V - 240V 50Hz 0.3 Amp
- Conforms to UL STD 507

Mechanical:

- 100CFM (Fan) 2.83 m³/min
- Motor: Impedance-Protected UV-C bulb, 26 watts, safety power switch

Weight & Dimensions:

- 12 lbs (5.44 kg)
- 24" H x 24" W x 5" L
(60.96cm x 60.96cm x 12.7cm)

Operating Temperature:

- 34 °F – 200 °F (1.1 °C – 93 °C)

Coverage¹:

- Up to 2,500 sq. ft. (232 m²) depending on occupant density and other factors.
High density commercial not to exceed 1,000 sq. ft. (92 m²).

Warranty:

- Limited (3) Three Year Warranty

Aerus, LLC reserves the right to change or modify any specification without notice.

1. Assumes 8 foot ceilings. Solutions should be customized based upon a variety of factors including HVAC system capabilities and settings, air flows taking into account walls, air pressure, and doors, ambient air temperatures and humidities, variable density, known VOC concentrations, and other layers of protection.

STORAGE AND DISPOSAL

Do not dispose of this product as household waste. Electrical waste and electronic products should be appropriately recycled as required by practices established by your local authority.



If you have any questions regarding the use of this, or any Aerus product, contact your Independent Distributor/Contractor or Aerus Customer Service at 800.243.9078 (U.S.) or 800.668.0763 (CANADA).

IMPORTANT SAFETY INSTRUCTIONS



WARNING

- UV Light in operation; before servicing or cleaning unit, switch power off at service panel and lock the service disconnecting means to prevent power from being switched on accidentally; when the service disconnecting means cannot be locked, securely fasten a prominent warning device, such as a tag, to the service panel
- Installation work and electrical wiring must be done by qualified person(s) in accordance with all applicable codes and standards, including fire-rated construction
- When using an electrical appliance, basic precautions should always be taken
- To reduce risk of fire, electrical shock, or injury to persons, observe the following:

Read this manual in its entirety before using your Aerus® Pure Cloud.

Keep out of the reach of children.

- Use only in the manner intended by the manufacturer; if you have any questions, contact your ActivePure® Distributor
- Be sure power to the air system is off before installing the ActivePure® Pure Cloud
- It is recommended that this unit be installed by a licensed contractor to ensure proper installation and protect your warranty
- **DO NOT** attempt to repair or adjust any of the electrical or mechanical functions; contact your ActivePure® Distributor for service information
- When cutting or drilling into wall or ceiling, **DO NOT** damage electrical wiring and other hidden utilities
- **DO NOT** use this fan with any Solid-State Speed Control
- **DO NOT** use outdoors or on wet surfaces
- **DO NOT** allow to be used as a toy; do not allow children around the unit
- **DO NOT** handle appliance with wet hands
- **DO NOT** allow foreign objects to enter the ventilation openings
- Keep hair, clothing, fingers, and all parts of body away from openings
- To reduce the risk of electric shock, **DO NOT** expose to water or rain
- Service should only be performed by a qualified electrician
- Make sure the Power Switch is turned off and power is disconnected at the breaker or fuse panel when performing installation, maintenance or service
- Use only replacement parts recommended by the manufacturer

SAVE THESE INSTRUCTIONS

FOR CANADIAN CUSTOMERS ONLY

AERUS® PURE CLOUD

Sales No. : 00672 (120V)

This UV device helps reduce the spread of viruses in the air.

Keep out of the reach of children.

Please read the label and owner's manual before using: aerusonline.com/manuals

PRECAUTIONS:

WARNING: UV radiation emitted from this device. Unintended use of the device, or damage to the housing, may result in exposure to ultraviolet radiation. Ultraviolet radiation may cause eye and skin irritation. Avoid exposing eyes and skin to ultraviolet radiation.

FIRST AID INSTRUCTIONS: Please contact your healthcare provider in the event of injury caused by this device.

DIRECTIONS FOR USE:

Unit should be installed after the air handler in the HVAC system by a licensed HVAC contractor or electrician. Please see this owner's manual for detailed instructions on using, handling, storing and disposing of the device, and procedures to mitigate any associated risks.

The use of this device is a supplement to and not a substitute for standard infection control practices; users must continue to follow all current infection control practices, including those related to the cleaning and disinfection of environmental surfaces.

FOR INQUIRIES CONTACT:

AERUS CANADA, INC.
Laird Business Park
3480 Laird Road, Units 2-5
Mississauga, Ontario, Canada, L5L 5Y4

W. Parrell, Manager
(905) 569-9399
wparrell@aerusonline.com

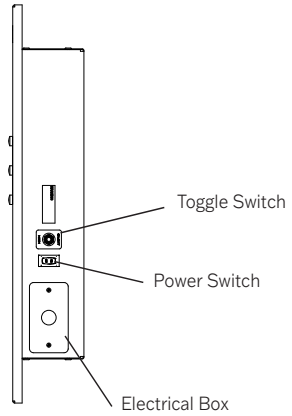
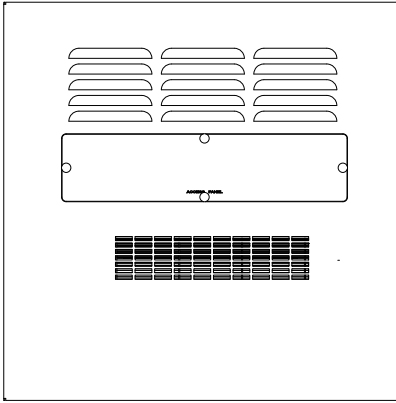
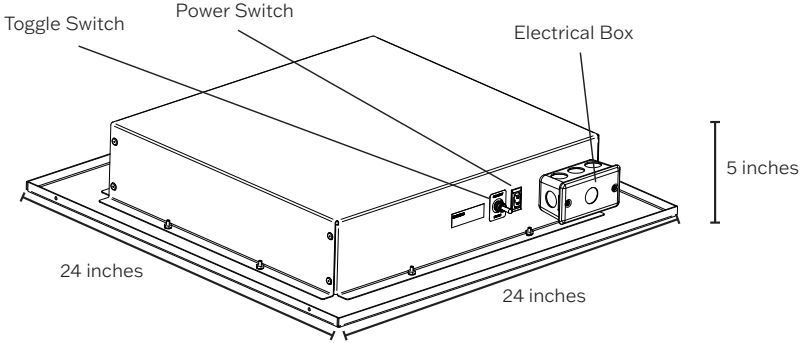
Aerus Canada, Inc. is affiliated with ActivePure Manufacturing, LLC and Aerus, LLC
1300 Valley Drive, Bristol, VA 24201

PRODUCT FEATURES



WARNING

- Installation work and electrical wiring must be done by qualified professional person(s) in accordance with all applicable codes and standards, including fire-related construction
- When cutting or drilling into wall or ceiling, do not damage electrical wiring and other hidden utilities



INSTALLATION

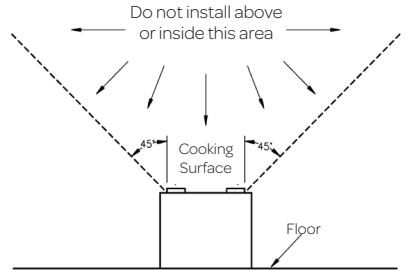


WARNING

- Be sure power to the air system is off before installing the Aerus® Pure Cloud
- It is recommended that this unit be installed by a licensed contractor to ensure proper installation and protect your warranty
- Ensure the ceiling's gridwork will safely hold the unit in place

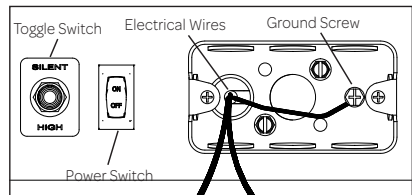
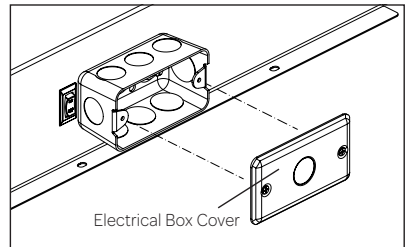
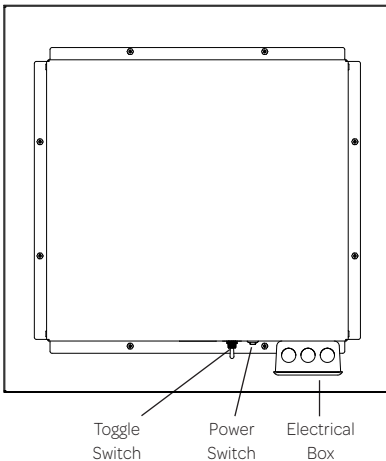
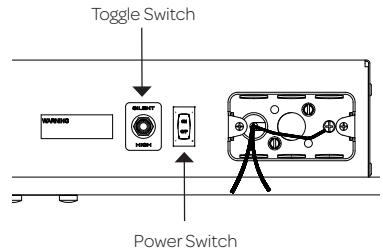
The Aerus® Pure Cloud is designed to be mounted in place of a standard 2' x 2' ceiling tile. **Installation is only to be performed by a qualified electrician.**

- The Aerus Pure Cloud must not be installed in a ceiling thermally insulated to a value greater than R40.
- The Aerus Pure Cloud is not a cook surface ventilator.
DO NOT install above or adjacent to a cooking surface. Grease from a cooking surface may cause damage to the Aerus Pure Cloud.



1. Connect Power Cable to appropriate electrical power source according to local or national codes.
2. A Power Switch turns the unit on and off. Turn Power Switch on for operation.
3. The Toggle Switch beside the Power **ON/OFF** Switch is used to control the speed of the unit's fan.

- Flip the switch to "**High**" to run the unit at maximum air movement
- Flip the switch to "**Silent**" to run the fan at a lower volume for a quieter mode of operation



REPLACING THE ACTIVEPURE CELL ASSEMBLY



WARNING

- Service should only be performed by a qualified electrician
- Make sure the Power Switch is turned off and power is disconnected at the breaker or fuse panel



CAUTION

A face mask should be worn to prevent inhalation of any particles released into the air during the process. Eye protection may be necessary when cleaning the unit from below while it is mounted in the ceiling.

1. Remove 4 Plastic Screw Caps. Remove 4 Screws, while holding the Cell Base Plate, lower ActivePure® Cell Assembly down and out of unit.

2. Remove screws holding the ActivePure Cell Assembly in place.

3. Slide the used ActivePure Cell Assembly out and discard.

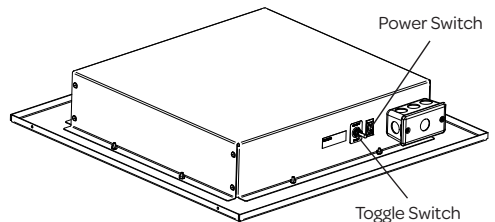
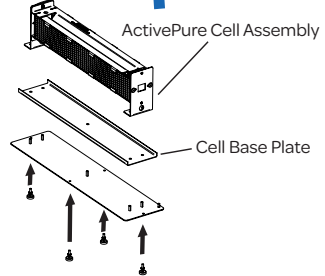
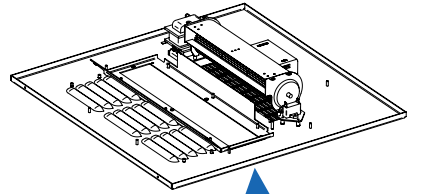
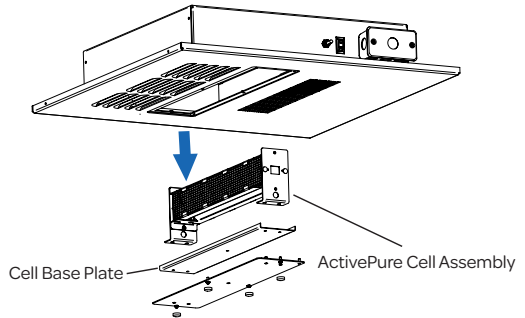
4. It is recommended maintenance to vacuum off the vent openings and clean the underside of the unit if any dust build-up has accumulated.

5. Slide the new ActivePure Cell Assembly into place.

6. Reinstall the screws securing the new ActivePure Cell Assembly into position.

7. Replace 4 Plastic Screw Cap covers.

8. Turn the Power Switch **ON**.



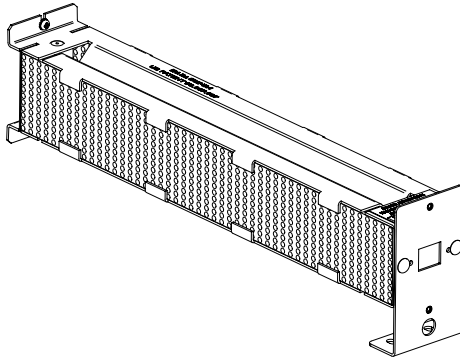
REPLACEMENT PARTS



WARNING

Use only replacement part recommended by the manufacturer.

REPLACEMENT PARTS	PART NUMBER
ActivePure® Cell Assembly (Ozone-Free)	49785



To order replacement parts, contact your Aerus sales representative or contact Customer Service at 800.243.9078 (U.S) or 800.668.0763 (CANADA).

WARRANTY INFORMATION

Limited (3) Three Year Warranty

To register your Aerus® Pure Cloud unit, visit aerusonline.com/warranty.
Call Customer Service at 800.243.9078 (U.S.) or 800.668.0763 (Canada).

LIMITED 3 YEAR WARRANTY

Customer should not repackage and ship the Aerus Pure Cloud unit due to possibility of irreparable damage. For warranty service, please contact your Aerus Distributor for the address of the nearest service center or call Customer Service at 800.572.0502.

WHAT IS COVERED BY THIS WARRANTY

We warrant the Aerus Pure Cloud (excluding filters) to the Customer, subject to the conditions below, against defects in workmanship or material, provided that the products are returned to a service location within the following time periods:

- Aerus Pure Cloud within three (3) years of date of purchase.
- ActivePure® Cell Assembly within one (1) year from the date of purchase.

INSTALLATION AND MAINTENANCE REQUIREMENTS

This warranty is expressly conditioned upon proper installation, operation, cleaning and maintenance, all in accordance with the Owner's Manual. Failure to meet any of these requirements will void this warranty. Servicing of your Aerus Pure Cloud by parties other than our authorized Distributors and/or using parts other than genuine parts will also void this warranty.

HOW TO OBTAIN WARRANTY SERVICE

Customer must contact their Aerus Distributor and provide proof of purchase within the above time periods. We will repair or replace and return the product, without charge and within a reasonable period of time, subject to the conditions herein, if its examination shall disclose any part to be defective in workmanship or material. If we, in our discretion, are unable to repair the product after a reasonable number of attempts, we will provide either a refund of the purchase price or a replacement unit, at the company's option.

WHAT IS NOT COVERED BY THIS WARRANTY

Ordinary wear and tear shall not be considered a defect in workmanship or material. These warranties do not apply to filters nor for loss or damage caused by accident, fire, abuse, misuse, improper installation, leaking, modification, misapplication, or by any repairs other than those provided by our authorized Service Center. This warranty is non-transferable.

MISSING SERIAL NUMBERS AND UNAUTHORIZED CHANNELS

If a valid serial number is missing from the product, the warranty will be voided. Aerus Pure Cloud products are authorized for sale through authorized Aerus Distributors only. Warranties are voided if a product is purchased through unauthorized channels; this includes websites that are not authorized to use Pure Cloud's trademarked names, images and logos as well as Internet auction sites (e.g. eBay and craigslist). To confirm warranty coverage prior to purchasing a product, contact Aerus at 800.572.0502 (U.S.) or 800.668.0763 (Canada) with the serial number located on the back of the unit.

EXCLUSION OF OTHER WARRANTIES AND CONDITIONS

EXCEPT AS PROVIDED HEREIN, WE MAKE NO REPRESENTATION OR WARRANTY OF ANY KIND. ALL OTHER WARRANTIES OF ANY KIND, EXPRESS OR IMPLIED, ARE HEREBY EXPRESSLY DISCLAIMED, INCLUDING ANY IMPLIED WARRANTY OF MERCHANTABILITY OR FITNESS FOR A PARTICULAR PURPOSE.

LIMITATION OF LIABILITY FOR SPECIAL, INCIDENTAL, OR CONSEQUENTIAL DAMAGES

WE SHALL NOT IN ANY CASE BE LIABLE FOR SPECIAL, INCIDENTAL OR CONSEQUENTIAL DAMAGES ARISING FROM BREACH OF EXPRESSED OR IMPLIED WARRANTIES, CONDITIONS, GUARANTEES OR REPRESENTATIONS, BREACH OF CONTRACT, NEGLIGENCE OR ANY OTHER LEGAL THEORY. Such excluded damages include, but are not limited to, loss of profits or revenue, and loss of the use of the products, and any loss caused by leaks or other water damage.

FOR U.S. APPLICATION ONLY

This warranty gives you specific legal rights, and you may also have other rights which vary from state to state. Some states do not allow limitations on warranties, or on remedies for breach. In such states, the above limitations may not apply to you.

FOR CANADIAN APPLICATION ONLY

Exclusion of Subsequent Owners: Except as otherwise required by applicable legislation, this warranty is not transferable. This warranty gives you specific legal rights and you may also have other rights which vary from province to province. Some provinces and territories do not allow limitations on warranties, or on remedies for breach. In such provinces or territories, the above limitations may not apply to you. If any provision of this warranty or part thereof is held by a court of competent jurisdiction to be invalid, illegal, or unenforceable, the validity, legality and enforceability of the remaining provisions or parts thereof will not in any way be affected or impaired within the jurisdiction of that court. This entire warranty shall continue to be valid, legal and enforceable in any jurisdiction where a similar determination has not been made.

This warranty is provided by:
ActivePure Manufacturing, LLC
1300 Valley Drive,
Bristol, VA 24201

SERVICE

Every effort is made to ensure customers receive an up-to-date instructions manual on the use of our products; however, from time to time, modifications to our products may without notice make the information contained herein subject to alteration. For the latest information, please call Customer Service at 800.243.9078 (U.S.) or 800.668.0763 (Canada).

FCC DECLARATION & RESPONSIBLE PARTY

This equipment has been tested and found to comply with the limits for a Class A digital device, pursuant to Part 15 of the FCC Rules. These limits are designed to provide reasonable protection against harmful interference when the equipment is operated in a commercial environment. This equipment may generate, use, or could radiate radio frequency energy and, if not installed and used in accordance with the instruction manual, may cause harmful interference to radio communications. Operation of this equipment in a residential area is likely to cause harmful interference, in which case the user will be required to correct the interference at his own expense.

- Reorient or relocate the receiving antenna.
- Increase the separation between the equipment and receiver.
- Connect the equipment into an outlet on a circuit different from that to which the receiver is connected.
- Consult the Independent Contractor for help.

FCC Declaration of Conformity

Name: Aerus® Pure Cloud

Model: A1021C (120V), A1021B (230V)

Produced by: ActivePure Manufacturing, LLC

This device complies with Part 15 of the FCC Rules.

Responsible Party

ActivePure Manufacturing, LLC
1300 Valley Drive
Bristol, VA 24201

Ph: 800.243.9078

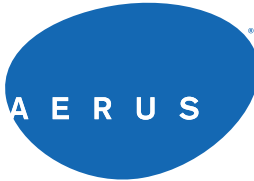
Signature: _____



Printed Name: Andrew Eide

Title: Vice President of Product Development
and Manufacturing

Date: 06/14/23



For information regarding the use of this product, please contact Customer Service

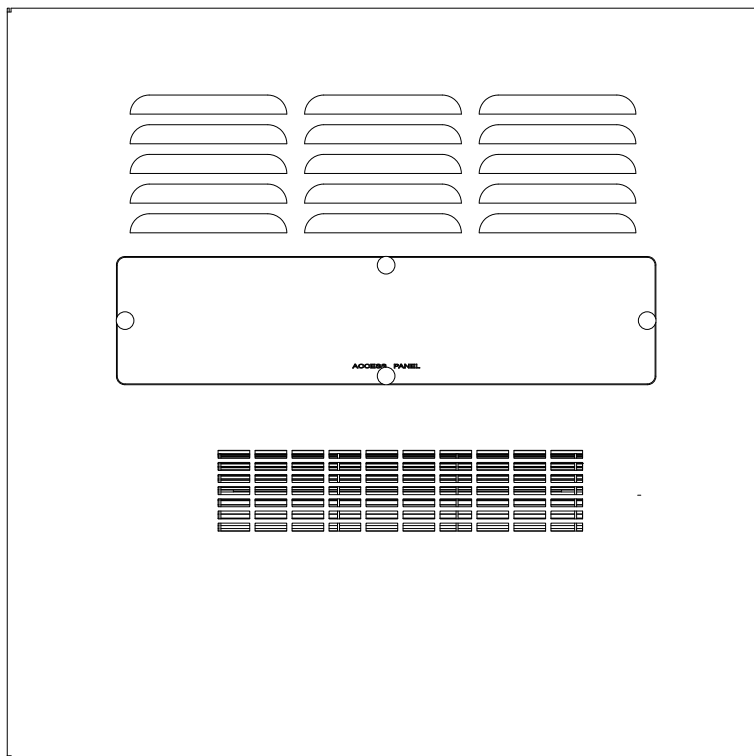
800.243.9078 (U.S.)

800.668.0763 (CANADA)

Aerusonline.com



PURE CLOUD



SYSTÈME DE PURIFICATION D'AIR MONTÉ AU PLAFOND

LIRE LE MANUEL ATTENTIVEMENT POUR CONNAITRE LES
PROCÉDURES ET LE FONCTIONNEMENT APPROPRIÉS.



INFORMATIONS GÉNÉRALES

DESCRIPTION DU PRODUIT

Félicitations pour votre nouvel achat! Votre nouvel appareil Aerus® Pure Cloud est conçu pour être monté au plafond, et pour offrir plusieurs années de service sans soucis et avec peu d'entretien. Assurez-vous de lire et de suivre toutes les procédures d'entretien décrites dans ce manuel d'utilisation, et de n'installer que les pièces de rechange d'origine.

TABLE DES MATIÈRES

Description du produit.....	14
Spécifications	14
Stockage et mise au rebut	14
Consignes de sécurité importantes.....	15
Pour les clients au Canada seulement	16
Caractéristiques du produit	17
Installation	18
Remplacement de l'assemblage de la cellule ActivePure.....	19
Pièces de rechange	20
Informations relatives à la garantie	21
Déclaration FCC et partie responsable	22

À REMPLIR ET À CONSERVER

Répertoriez ici les renseignements de votre nouvel Aerus Pure Cloud . Conserver pour référence future.

Modèle no. _____

Numéro de série. _____

Date d'achat _____

Distributeur/entrepreneur indépendant:

Nom _____

Numéro de téléphone _____

Adresse _____

SPÉCIFICATIONS

Aerus® Pure Cloud

- Numéro de modèle: A1021C (120V), A1021B (230V)
- Numéro de série: 00672 (120V), 9960026 (230V)

Technologie:

- ActivePure® Technology

Électrique:

- Tension d'alimentation: 110-120V 60 Hz, 75A (90W)/220V - 240V 50 Hz 0,3 Amp
Conforme à la norme UL STD 507

Mécanique:

- 100PCM (ventilateur) 2,83 m³/min
- Moteur: Protégé Par Impédance, lampe UV-C 26W, interrupteur de sécurité

Poids et dimensions:

- 12 lb (5,44 kg)
- 24 po (L) x 24 po (H) x 5 po (P)
(60,96cm x 60,96cm x 12,7cm)

Température de fonctionnement:

- 34 °F à 200 °F (1.1 °C à 93 °C)

Couverture:

- Jusqu'à 2 500 pieds carrés (soit 232 m²) selon le taux d'occupation et d'autres facteurs. Espaces commerciaux à fort taux d'occupation de moins de 1 000 pieds carrés (soit 92 m²).

Garantie:

- Garantie limitée de trois (3) ans

Nous nous réservons le droit de modifier les spécifications sans préavis.

1. Adapté aux plafonds de 8 pieds (2,50 mètres) de haut. Les solutions peuvent être personnalisées selon différents facteurs, comme la capacité et les réglages du système de chauffage, de ventilation et de climatisation, les débits d'air (en tenant compte des murs, de la pression de l'air et des portes), la température et le taux d'humidité ambiants, la densité variable, les concentrations connues en COV, et les autres couches de protection.

STOCKAGE ET MISE AU REBUT

Ne pas jeter ce produit avec les ordures ménagères. Les déchets électriques et produits électroniques doivent être recyclés convenablement, conformément aux pratiques établies par votre autorité locale.



Si vous avez des questions concernant ce produit ou tout autre produit Aerus, contactez votre distributeur ou entrepreneur indépendant, ou le service à la clientèle Aerus au 1.800.243.9078 (États-Unis) ou 1.800.668.0763 (CANADA).

CONSIGNES DE SÉCURITÉ IMPORTANTES



**MISE EN
GARDE**

- Lampe UV en marche; avant de procéder à l'entretien ou au nettoyage de l'appareil, couper l'alimentation au niveau du panneau de distribution électrique, et verrouiller les moyens de déconnexion électrique pour éviter toute mise sous tension accidentelle; si les moyens de déconnexion électrique ne sont pas verrouillables, fixer solidement un avertissement bien visible, par exemple une étiquette, au panneau de distribution électrique
- Les travaux d'installation et le câblage électrique doivent être effectués par une ou des personnes qualifiées conformément à tous les codes et normes applicables, y compris la construction résistante au feu
- L'utilisation d'appareils électriques nécessite des précautions de base qu'il faut toujours prendre
- Pour réduire les risques d'incendie, de choc électrique ou de blessure corporelle, veuillez respecter les procédures suivantes:

Veuillez lire ce manuel dans son intégralité avant d'utiliser votre appareil Aerus® Pure Cloud.

Tenir hors de la portée des enfants.

- À utiliser seulement de la façon prévue par le fabricant. Pour toute question concernant ce produit, veuillez contacter votre distributeur ActivePure®
- S'assurer de couper l'alimentation électrique du système de ventilation avant d'installer le système ActivePure® Pure Cloud
- Il est recommandé que cet appareil soit installé par un entrepreneur agréé, afin d'assurer la qualité de l'installation et de protéger votre garantie
- Ne pas tenter de réparer ou d'ajuster les fonctions électriques ou mécaniques de cet appareil; veuillez contacter votre distributeur ActivePure® pour obtenir des informations relatives à sa maintenance/réparation
- En coupant ou perçant le plafond, veiller à ne pas endommager le câblage électrique, ou tout autre équipement qui y serait dissimulé
- Ne pas utiliser ce ventilateur avec un contrôleur de vitesse électronique
- Ne jamais utiliser l'appareil à l'extérieur ou sur des surfaces humides
- Ne pas permettre son utilisation comme jouet; ne pas laisser les enfants s'approcher de l'appareil
- Ne pas manipuler l'appareil avec des mains humides
- Ne pas laisser des objets étrangers entrer dans les ouvertures de ventilation
- Tenir les cheveux, les vêtements, les doigts et toute partie du corps à l'écart des orifices
- Afin de réduire le risque de décharges électriques, ne pas exposer cet appareil à l'eau ou la pluie
- La maintenance de ce produit ne doit être effectuée que par un électricien qualifié
- Vérifiez que l'interrupteur d'alimentation est éteint et que l'alimentation est coupée au niveau du panneau de disjoncteurs ou de fusibles lors de l'installation, de l'entretien et de la maintenance
- Utiliser uniquement les pièces de rechange recommandées par le fabricant

POUR LES CLIENTS AU CANADA SEULEMENT

AERUS® PURE CLOUD

Numéro de série : 00672 (120V)

Cet appareil UV contribue à réduire la propagation des virus dans l'air.

Tenir hors de la portée des enfants.

Veillez lire l'étiquette et le manuel d'utilisation avant d'utiliser cet appareil: aerusonline.com/manuals

PRÉCAUTIONS:

MISE EN GARDE: Cet appareil émet des rayonnements UV. L'utilisation involontaire de cet appareil ou un boîtier endommagé peut entraîner l'exposition à des rayons ultraviolets. Les rayonnements ultraviolets peuvent irriter les yeux et la peau. Évitez d'exposer vos yeux et votre peau aux rayons ultraviolets.

INSTRUCTIONS POUR LES PREMIERS SOINS: Veuillez contacter votre professionnel de la santé en cas de blessure causée par cet appareil.

MODE D'EMPLOI:

Placer l'appareil au milieu de la zone à traiter pour de meilleurs résultats. Brancher le cordon dans une prise électrique fonctionnelle et tourner le bouton vers la droite pour allumer l'appareil. Veuillez lire ce manuel pour connaître les instructions détaillées sur l'utilisation, la manipulation, le stockage et la mise au rebut de l'appareil, ainsi que les procédures pour réduire tout risque connexe.

L'utilisation de cet appareil agit en complément des pratiques standards de contrôle des infections et ne représente donc pas un moyen de substitution à celles-ci. Les utilisateurs doivent continuer à suivre toutes les pratiques standards actuelles en matière de contrôle des infections, y compris celles concernant le nettoyage et la désinfection des surfaces environnantes.

POUR TOUTE QUESTION, VEUILLEZ CONTACTER:

AERUS CANADA, INC.
Laird Business Park
3480 Laird Road, Unités 2-5
Mississauga, Ontario, Canada, L5L 5Y4

W. Parrell, Responsable
(905) 569-9399
wparrell@aerusonline.com

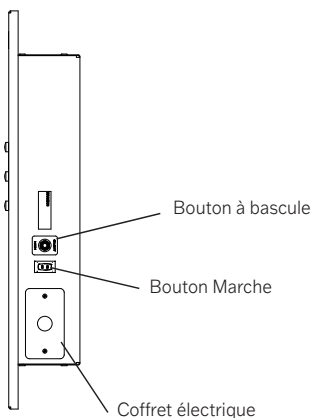
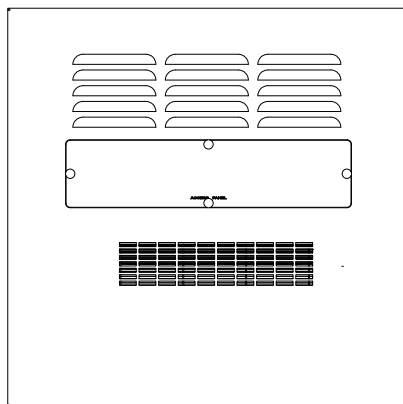
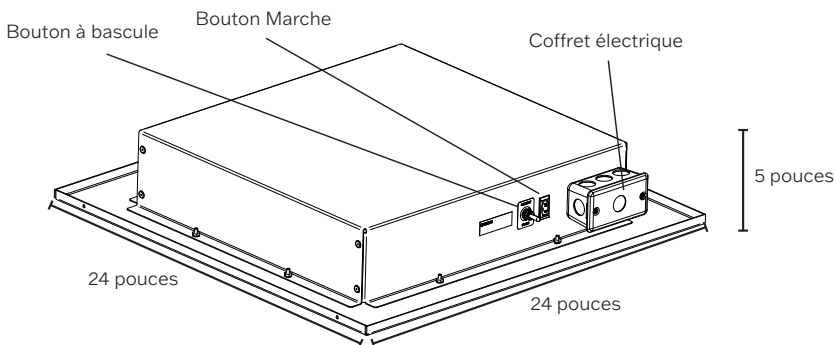
Aerus Canada Inc. est affiliée à ActivePure Manufacturing, LLC and Aerus, LLC
1300 Valley Drive, Bristol, VA 24201

CARACTÉRISTIQUES DU PRODUIT



**MISE EN
GARDE**

- Les travaux d'installation et le câblage électrique doivent être effectués par un ou des professionnel(s) qualifié(s) conformément à tous les codes et normes applicables, y compris les travaux liés à la résistance au feu
- En coupant ou perçant le plafond, veillez à ne pas endommager le filage électrique ou tout autre système qui y est caché



INSTALLATION



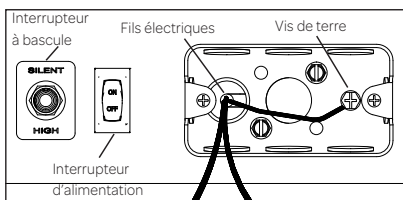
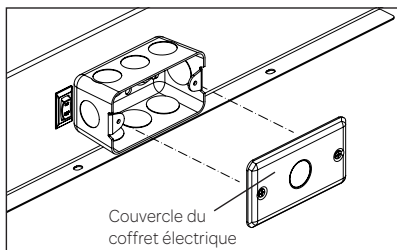
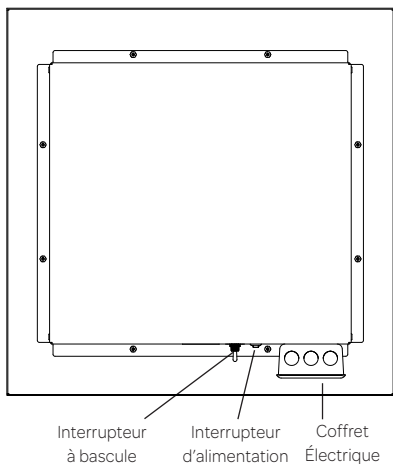
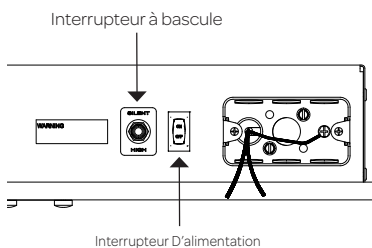
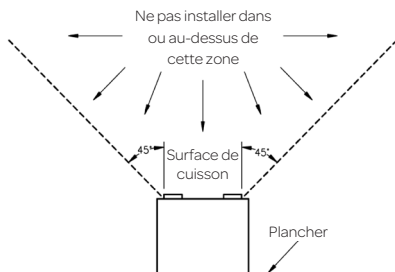
MISE EN GARDE

- S'assurer de couper l'alimentation électrique du système de ventilation avant d'installer le système ActivePure® Pure Cloud
- Il est recommandé que cet appareil soit installé par un entrepreneur agréé, afin d'assurer la qualité de l'installation et de protéger votre garantie
- Veiller à ce que la grille du plafond puisse maintenir l'unité en place solidement

The Aerus® Pure Cloud est conçu pour être installé à la place d'un carreau de plafond de 60,96 cm x 60,96 cm (2 pi x 2 pi).
L'installation ne doit être effectuée que par un électricien qualifié.

- Pure Cloud ne doit pas être installé dans un plafond dont l'isolation thermique dépasse R40.
 - Pure Cloud n'est pas un ventilateur de surface de cuisson. Ne pas l'installer au-dessus ou près d'une surface de cuisson. La graisse provenant d'une surface de cuisson pourrait endommager Aerus Pure Cloud.
1. Brancher le câble d'alimentation à une source d'alimentation électrique appropriée, selon les codes locaux ou nationaux.
 2. Un interrupteur d'alimentation allume et éteint l'appareil. Tourner l'interrupteur sur la position ON (marche) pour allumer l'appareil.
 3. L'interrupteur à bascule adjacent au l'interrupteur **Marche/Arrêt** est utilisé pour contrôler la vitesse de ventilation de l'appareil.

- Mettre l'interrupteur en position « HIGH » (vitesse élevée) pour faire fonctionner l'appareil avec un déplacement d'air maximal
- Basculer l'interrupteur sur « SILENT » (silencieux) pour réduire le volume déplacé par la ventilation, pour un mode de fonctionnement plus silencieux



REPLACEMENT DE L'ASSEMBLAGE DE LA CELLULE ACTIVEPURE



MISE EN GARDE

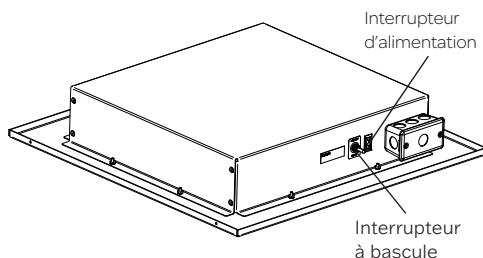
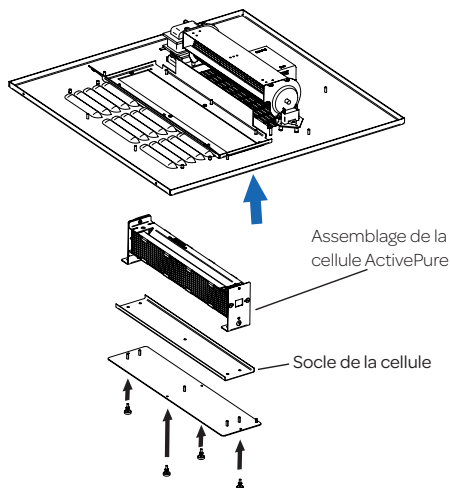
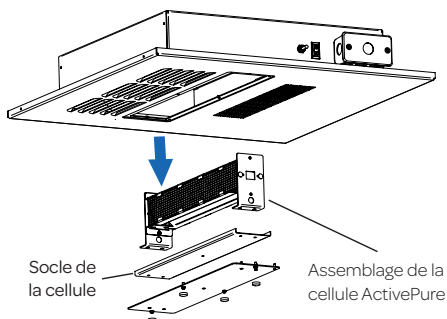
- La maintenance de ce produit ne doit être effectuée que par un électricien qualifié
- Vérifiez que l'interrupteur d'alimentation est éteint et que l'alimentation est coupée au niveau du panneau de disjoncteurs ou de fusibles



ATTENTION

Il est conseillé de porter un masque pour éviter d'inhaler toute particule relâchée dans l'air pendant cette étape. Une protection pour les yeux pourrait être nécessaire lors du nettoyage du dessous de l'appareil lorsque celui-ci est installé au plafond.

1. Retirer les 4 cache-vis de plastique. Retirer les 4 vis en tenant le socle de la cellule en place, puis retirer l'assemblage de la cellule ActivePure® de l'unité par le bas.
2. Retirer les vis qui retiennent en place l'assemblage de la cellule ActivePure®.
3. Faire glisser et retirer la cellule usagée et la jeter.
4. Lors de l'entretien, il est recommandé de passer l'aspirateur sur les ouvertures de ventilation et de nettoyer le dessous de l'appareil si de la poussière s'y est accumulée.
5. Insérer le nouvel assemblage de la cellule ActivePure® en place.
6. Replacer les vis pour fixer la nouvelle cellule.
7. Remplacer les 4 cache-vis de plastique.
8. Mettre le bouton Marche sur **ON (marche)**.



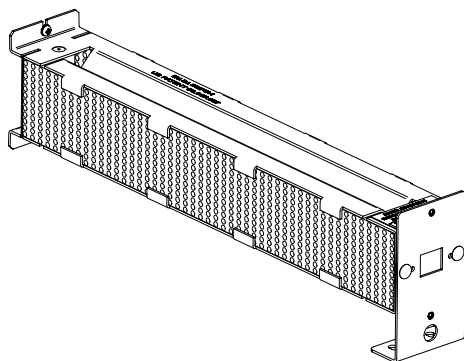
PIÈCES DE RECHANGE ET SERVICE



**MISE EN
GARDE**

Utiliser uniquement les pièces de rechange recommandées par le fabricant.

PIÈCES DE RECHANGE	NUMÉRO DE PIÈCE
Assemblage de la cellule ActivePure® (sans ozone)	49785



Pour commander des pièces de rechange, contacter un représentant ou le service à la clientèle Aerus, au 1.800.243.9078 (États-Unis) ou 1.800.668.0763 (CANADA).

INFORMATIONS RELATIVES À LA GARANTIE

Garantie limitée de trois (3) ans

Pour enregistrer votre appareil Aerus® Pure Cloud, rendez-vous sur aerusonline.com/warranty.

Appeler le service client à 800.243.9078 (États-Unis) ou 1.800.668.0763 (CANADA).

à

GARANTIE LIMITÉE DE 3 ANS

Le client ne devrait pas réemballer et envoyer le Aerus Pure Cloud, car des dommages irréparables pourraient se produire. Pour le service sous garantie, veuillez contacter votre Distributeur Aerus pour obtenir l'adresse du centre de service Aerus le plus près de chez vous, ou appeler notre service à la clientèle au : 800.572.0502.

CE QUI EST COUVERT PAR CETTE GARANTIE

Nous garantissons l'appareil Aerus Pure Cloud (à l'exception des filtres) au client, selon les conditions ci-dessous, contre toute défectuosité de fabrication ou de matériaux, à condition que les produits soient retournés dans un centre de services dans les délais indiqués :

- L'appareil Aerus Pure Cloud dans les trois (3) ans après la date d'achat
- Assemblage de cellule ActivePure jusqu'à un (1) an après la date d'achat

EXIGENCES

Cette garantie est expressément assujettie à l'installation, à l'opération, au nettoyage et à l'entretien appropriés, le tout en conformité avec le manuel de l'utilisateur. Le non-respect de ces exigences annulera cette garantie. L'entretien de votre appareil Aerus Pure Cloud par des parties autres que nos Distributeurs autorisés et/ou l'utilisation de pièces autres que les pièces d'origine annuleront aussi cette garantie.

COMMENT OBTENIR LE SERVICE DE GARANTIE

Le client doit communiquer avec son détaillant Aerus et fournir une preuve d'achat dans les délais ci-haut mentionnés Aerus procédera à la réparation ou au remplacement du produit, sans frais et dans un délai raisonnable, sous réserve des conditions indiquées dans la présente, si son examen révèle qu'une pièce présente une défectuosité de fabrication ou de matériaux. Si, à notre discrétion, nous ne sommes pas en mesure de réparer le produit après un nombre raisonnable de tentatives, nous fournirons un remboursement du prix d'achat ou bien un appareil de remplacement, au choix de l'entreprise. Nous nous réservons le droit d'inspecter et/ou de demander la confirmation de la méthode d'installation.

CE QUI N'EST PAS COUVERT PAR CETTE GARANTIE

L'usure normale ne sera pas considérée comme une défectuosité de fabrication ou de matériaux. Ces garanties ne s'appliquent pas en cas de perte ou de dommages causés par un accident, un incendie, une utilisation abusive, une mauvaise utilisation, une installation incorrecte, une fuite, une modification, une application erronée, ou des réparations autres que celles fournies par notre centre de services autorisés. Cette garantie n'est pas transférable.

NUMÉROS DE SÉRIE MANQUANTS ET POINTS DE VENTE NON AUTORISÉS

Si un numéro de série valide est manquant sur le produit, la garantie sera annulée. Les produits Aerus Pure Cloud sont en vente seulement chez les détaillants autorisés. Les garanties sont annulées si un produit est acheté dans un point de vente non autorisé; cela inclut les sites Web indépendants ou financés par l'entreprise qui ne sont pas autorisés à utiliser les marques de commerce, les images et les logos de Aerus, ainsi que les sites Web d'enchères (p. ex. eBay et Craigslist). Le seul site Web indépendant ou financé par l'entreprise autorisé pour la vente des produits Aerus est le aerusonline.com. Pour confirmer la couverture de garantie avant d'acheter un produit, communiquez avec Aerus au 800.572.0502 (États-Unis) ou 1.800.668.0763 (CANADA) en mentionnant le numéro de série situé au dos de l'appareil.

EXCLUSION D'AUTRES GARANTIES ET CONDITIONS

SAUF DANS LES CAS ÉNONCÉS CI-APRÈS, NOUS NE FAISONS AUCUNE DÉCLARATION ET NE DONNONS AUCUNE GARANTIE. TOUTES GARANTIES, QUELLES QU'ELLES SOIENT, EXPLICITES OU IMPLICITES, SONT PAR LES PRÉSENTES EXPRESSÉMENT REJETÉES, Y COMPRIS TOUTE GARANTIE IMPLICITE DE QUALITÉ MARCHANDE OU D'ADÉQUATION À UN USAGE PARTICULIER.

LIMITATION DE RESPONSABILITÉ POUR DES DOMMAGES PARTICULIERS, ACCESSOIRES OU INDIRECTS

NOUS NE SOMMES RESPONSABLES EN AUCUN CAS POUR DES DOMMAGES PARTICULIERS, ACCESSOIRES OU INDIRECTS DÉCOULANT DU NON-RESPECT DES GARANTIES EXPLICITES OU IMPLICITES, DES CONDITIONS, DES GARANTIES OU DÉCLARATIONS, D'UNE RUPTURE DE CONTRAT, D'UNE NÉGLIGENCE, OU DE TOUTE AUTRE THÉORIE LÉGALE. De tels dommages exclus comprennent, entre autres, la perte de profits ou de revenus, l'incapacité d'utiliser les produits, et toute perte causée par des fuites ou autres dommages causés par l'eau.

POUR LES ÉTATS-UNIS SEULEMENT

Cette garantie vous accorde des droits légaux spécifiques, auxquels peuvent s'ajouter certains droits qui peuvent varier d'un État à l'autre. Certains États n'acceptent pas de limitations sur les garanties, ou sur les recours en cas de rupture. En ce qui concerne ces États, les limitations ci-haut mentionnées peuvent ne pas s'appliquer à vous.

POUR LE CANADA SEULEMENT

Exclusion des propriétaires subséquents : sauf lorsqu'une réglementation locale l'exige, cette garantie n'est pas transférable. Cette garantie vous accorde des droits légaux spécifiques, auxquels peuvent s'ajouter certains droits qui peuvent varier d'une province à l'autre. Certains territoires et provinces n'acceptent pas de limitations sur les garanties, ou sur les recours en cas de rupture. En ce qui concerne ces provinces ou territoires, les limitations ci-haut mentionnées peuvent ne pas s'appliquer à vous. Si une disposition de cette garantie ou une partie de celle-ci est jugée invalide, illégale, ou inapplicable par un tribunal compétent, la validité, la légalité et l'applicabilité des dispositions ou des parties de celles-ci ne seront pas affectées ni altérées en aucun cas dans la juridiction de ce tribunal. La garantie complète continuera d'être valide, légale, et applicable dans toute juridiction où une détermination similaire n'a pas été effectuée.

Cette garantie est fournie par ActivePure Manufacturing, LLC
1300 Valley Drive,
Bristol, VA 24201

SERVICE

Tout est mis en œuvre pour veiller à ce que les clients reçoivent un manuel de l'utilisateur à jour sur l'utilisation de nos produits. De temps à autre, des modifications apportées à nos produits peuvent cependant changer sans préavis les renseignements contenus dans les présentes. Pour les dernières informations, veuillez appeler le service client à 800.243.9078 (États-Unis) ou 1.800.668.0763 (CANADA).

DÉCLARATION FCC ET PARTIE RESPONSABLE

Cet équipement a été testé et jugé conforme aux limites applicables pour un appareil numérique de Classe A, conformément à la section 15 des réglementations FCC. Ces limites sont établies afin d'apporter une protection raisonnable contre les interférences dangereuses lorsque l'équipement est utilisé dans un environnement commercial. Cet équipement peut générer, utiliser ou émettre des fréquences radio et, s'il n'est pas installé et utilisé conformément au manuel d'utilisation, peut provoquer des interférences nuisibles aux communications radio. L'utilisation de cet équipement dans une zone résidentielle est susceptible de provoquer des interférences nuisibles, auquel cas l'utilisateur devra corriger le problème à ses propres frais.

- Réorienter ou déplacer l'antenne de réception.
- Augmenter la distance de séparation entre l'appareil et le récepteur.
- Brancher l'appareil à une prise reliée à un circuit autre que celui où est branché le récepteur.
- S'adresser à un entrepreneur indépendant pour obtenir de l'assistance.

DÉCLARATION DE CONFORMITÉ À LA FCC

Nom: Aerus® Pure Cloud

Modèle: A1021C (120V), A1021B (230V)

Fabriqué pour: ActivePure Manufacturing, LLC

Cet appareil est conforme à la section 15 des règles de la FCC.

PARTIE RESPONSABLE

ActivePure Manufacturing, LLC
1300 Valley Drive
Bristol, VA 24201

Tél. : 1.800.243.9078

Signature:



Nom en lettres moulées : Andrew Eide

Titre : Vice-président du développement et
de la fabrication des produits

Date: 14 juin 2023



Pour de plus amples renseignements concernant l'utilisation de cet appareil,
veuillez contacter le service à la clientèle

1.800.243.9078 (É.-U.)
1.800.668.0763 (CANADA)

Aerusonline.com

Aerus, LLC | 1300 Valley Drive | Bristol, VA 24201 | 1.800.243.9078
Aerus Canada, Inc. | 3480 Laird Road, Unités 2-5 | Mississauga, ON L5L 5Y4 | 1.800.668.0763

Fabriqué aux États-Unis | © Aerus, LLC. Tous droits réservés